



TECHSOFT – connecting technologies



TECHSOFT Datenverarbeitung GmbH  
Zentrale: A-4030 Linz, Bäckermühlweg 73  
Tel.: +43(0)732 37 89 00-0  
Fax: +43(0)732 37 89 00-99  
kontakt@techsoft.at

# PRODUCT SHEET

## ModelSearch

**Geometry-based 3D similarity search at its finest** for PTC Creo and PTC Creo Elements/Direct

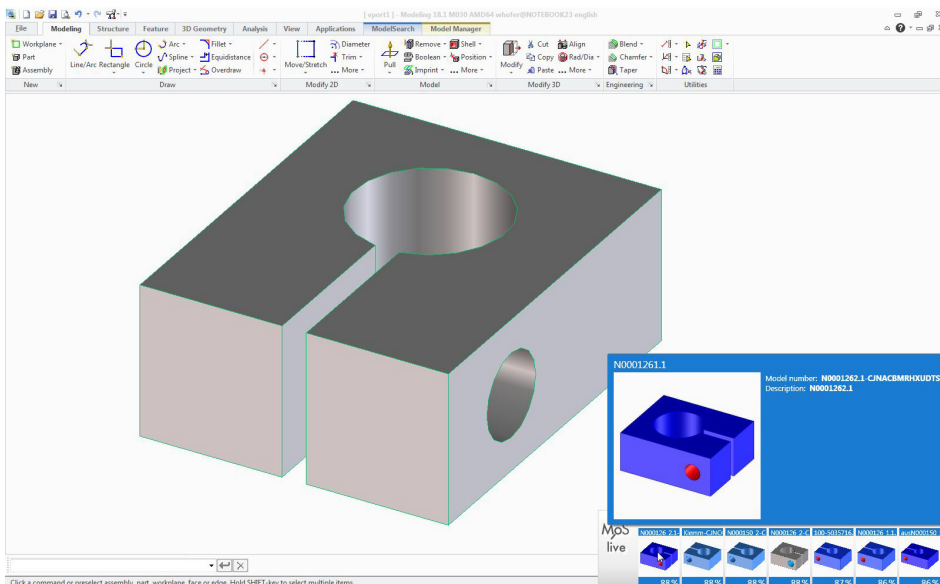
Sorting, classifying, filing – not that easy in the day-to-day work of a design engineer. And not exactly things that design engineers would choose to do voluntarily. „Because wanting to depict the geometric shape of a part is like trying to nail a pudding to the wall,“ says Thomas Bauer, Head of Engineering PDM/Development at TECHSOFT, summing up a dilemma which has been the downfall of some classification projects. In many cases it would be far more efficient to use parts that already exist in the database rather than reinventing the wheel every single time.

### Proactive software, fully automatic help and very good

There is the perfect solution for every challenge: all you have to do is listen exactly to what the users really want and focus on what is important. And that is precisely what happened in the development of ModelSearch. The result is software which finds the fastest way to the goal, fully automatically and proactively – like a satellite navigation system in a car. The path to similar, existing 3D models

is taken and monitored in real time via the geometric footprint of the individual parts, which is determined using a multitude of properties such as dimensions, areas, moments of inertia, drill holes, etc. Thanks to in-memory computing and the ModelSearch Live component this data reconciliation is both remarkably fast and takes place continuously. This means that thumbnails showing the respective models with the greatest similarity are constantly presented to the user while working on the design: the more detailed the execution, the better the match of the parts which are „fed“ to the user from PTC Creo Elements/Direct or PTC Creo.

As the geometric footprint is readable to people, you can of course search for parts interactively, too. Pre-built geometric categories such as tube, washer, angular sheet metal part or gusset plate, automatically assist design engineers in their searches. As a result, existing parts can be found quickly, easily and re-used with just a few mouse clicks.



## ModelSearch

### Functionality

- Automatic generation of a geometric footprint of all 3D models
- Interactive similarity, geometry and hole pattern search
- Continuous similarity search – ModelSearch Live

### Highlights

- Ready for use throughout the company once it has been installed
- Extremely fast response times thanks to „in-memory computing“-technology
- Suitable for universal use as no PLM system customizing is necessary
- Native Windchill/Model Manager application, no additional software required
- Available for PTC Creo Elements/Direct Modeling and Model Manager from Version I 8, for PTC Creo Parametric from WF4 and for PTC Windchill from Version I 0

### Benefits

Cost savings on three fronts through:

- reduced design activities,
- reduced production activities
- and through a reduction in parts diversity.

For further benefits please visit <http://www.techsoft.at/produkte/pdmplm-loesungen/modelsearch/> or ask TECHSOFT.